

Main Function



monocentric, free moving with posterior offset

Type of Extension Stop



static extension stop, adjustable

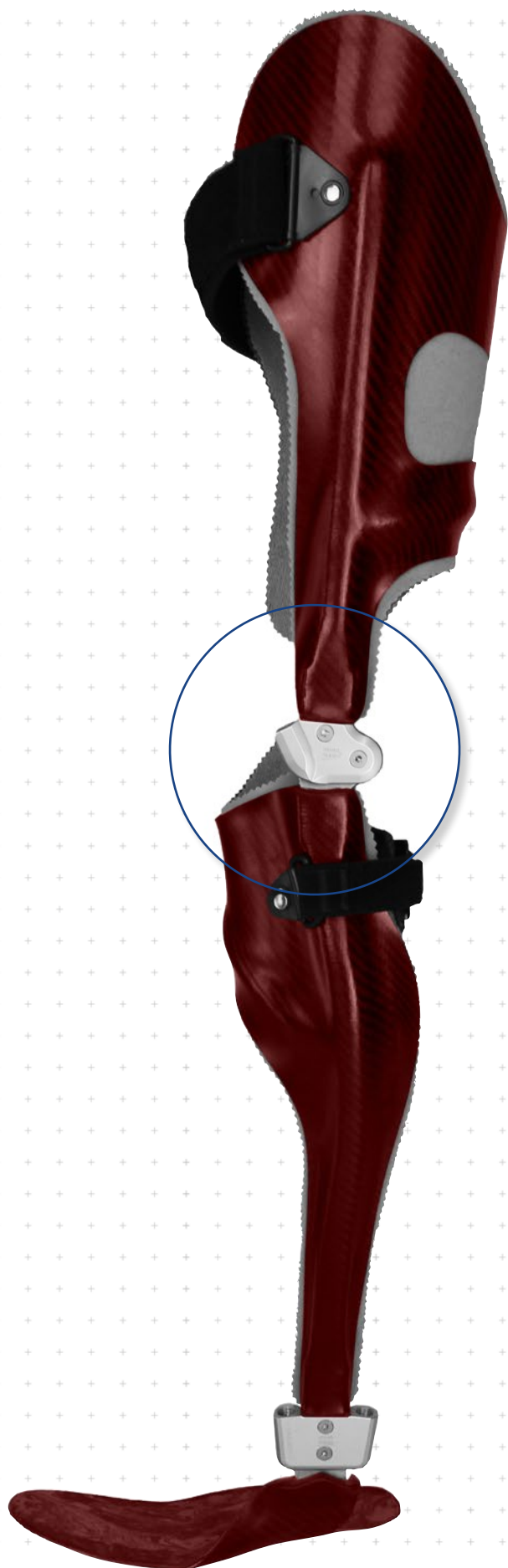
Adjustment Options

The extension stop can be infinitely adjusted (0°-20°) by using the alignment screw.

The NEURO VARIO 2 system knee joint can be used as a supporting joint for the NEURO VARIO-SWING system knee joint.



The NEURO VARIO 2 system knee joint can be converted into the NEURO VARIO-SWING system knee joint by exchanging the functional unit.



NEURO CLASSIC

NEURO VARIO

NEURO VARIO 2

NEURO VARIO-SWING

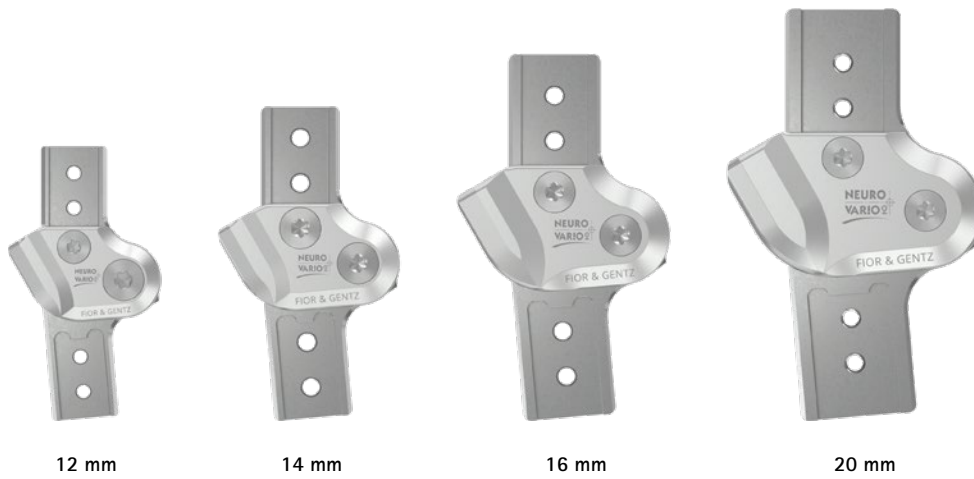
NEURO ACTIVE  
System Knee Joint

NEURO ACTIVE  
Articulated System Side Bar

NEURO CLASSIC Carbon

NEURO CLASSIC

NEURO VARIO



12 mm

14 mm

16 mm

20 mm

NEURO VARIO 2

Joint Dimensions [mm]

Dimension	Description	System Width a			
		12 mm	14 mm	16 mm	20 mm
b	joint head width	37	44	52	62
c	joint height	67	76	89	100
d	posterior offset	12	14	16	20
e	distance pivot point - lower system case	13	13	16	18,5
f	distance pivot point - upper system case	13	14,5	17	19
	joint thickness	14	14	16	19

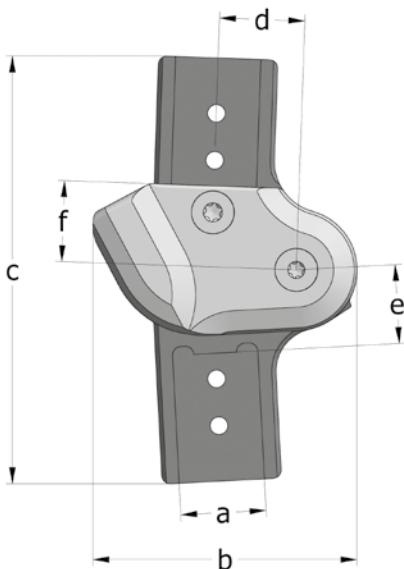
NEURO VARIO-SWING

Joint Weights [g]

Material	Unit	System Width a			
		12 mm	14 mm	16 mm	20 mm
titanium	piece	47	63	103	162

NEURO ACTIVE  
System Knee Joint

NEURO ACTIVE  
Articulated System Side Bar



The NEURO VARIO 2 system knee joint is delivered with the following articles:

orthotic joint grease, 3g

assembly/lamination dummy

NEURO CLASSIC Carbon

➔ Please order system side bars/anchors separately.

➔ You will find system side bars/anchors on catalogue page I1ff.



straight  
fig. 1



bent inwards distally  
fig. 2



bent outwards distally  
fig. 3



bent inwards  
proximally and distally  
fig. 4



bent outwards  
proximally and distally  
fig. 5

**Straight (Fig. 1)**

Material	Leg Side	Unit	Article Number for System Width			
			12 mm	14 mm	16 mm	20 mm
titanium	left lateral or right medial	piece	SL2301-L/TI	SL2302-L/TI	SL2303-L/TI	SL2305-L/TI
	left medial or right lateral	piece	SL2301-R/TI	SL2302-R/TI	SL2303-R/TI	SL2305-R/TI

**Bent Inwards Distally (Fig. 2)**

Material	Leg Side	Unit	Article Number for System Width	
			16 mm	20 mm
titanium	left lateral or right medial	piece	SL2373-L/TI	SL2375-L/TI
	left medial or right lateral	piece	SL2373-R/TI	SL2375-R/TI

**Bent Outwards Distally (Fig. 3)**

Material	Leg Side	Unit	Article Number for System Width	
			16 mm	20 mm
titanium	left lateral or right medial	piece	SL2393-L/TI	SL2395-L/TI
	left medial or right lateral	piece	SL2393-R/TI	SL2395-R/TI

**Bent Inwards Proximally and Distally (Fig. 4)**

Material	Leg Side	Unit	Article Number for System Width	
			16 mm	20 mm
titanium	left lateral or right medial	piece	SL2323-L/TI	SL2325-L/TI
	left medial or right lateral	piece	SL2323-R/TI	SL2325-R/TI

**Bent Outwards Proximally and Distally (Fig. 5)**

Material	Leg Side	Unit	Article Number for System Width	
			16 mm	20 mm
titanium	left lateral or right medial	piece	SL2383-L/TI	SL2385-L/TI
	left medial or right lateral	piece	SL2383-R/TI	SL2385-R/TI

NEURO CLASSIC

NEURO VARIO

NEURO VARIO 2

NEURO VARIO-SWING

NEURO ACTIVE  
System Knee Joint

NEURO ACTIVE  
Articulated System Side Bar

NEURO CLASSIC Carbon

NEURO CLASSIC

NEURO VARIO

NEURO VARIO 2

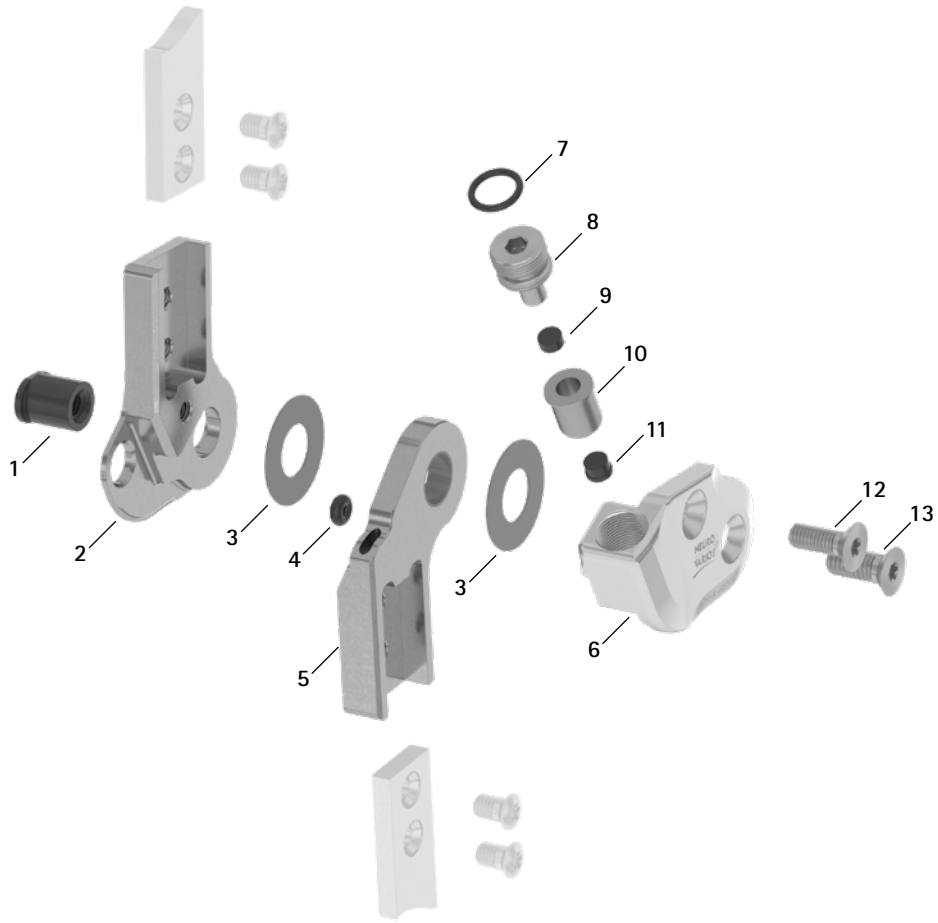
NEURO VARIO-SWING

NEURO ACTIVE  
System Knee Joint

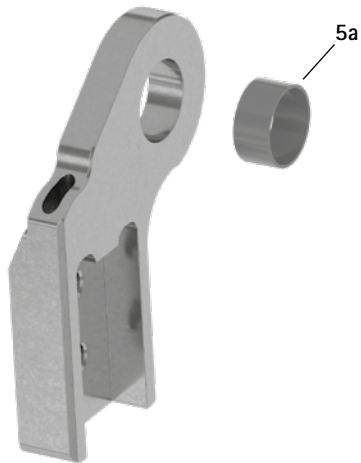
NEURO ACTIVE  
Articulated System Side Bar

NEURO CLASSIC Carbon

Spare Parts



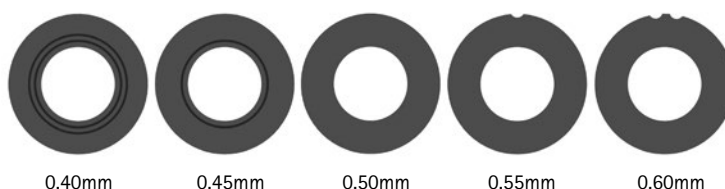
Lower Part with Sliding Bushing, Preassembled (5)



Spare Parts					
Item	Article Number for System Width				Description
	12 mm	14 mm	16 mm	20 mm	
1	SB8559-L0930	SB9669-L0950	SB1069-L1060	SB1069-L1220	bearing nut
2	SL0201-L/TI	SL0202-L/TI	SL0203-L/TI	SL0205-L/TI	upper part, left lateral or right medial, straight, titanium
2	SL0201-R/TI	SL0202-R/TI	SL0203-R/TI	SL0205-R/TI	upper part, left medial or right lateral, straight, titanium
2	-	-	SL0223-L/TI	SL0225-L/TI	upper part, left lateral or right medial, bent inwards, titanium
2	-	-	SL0223-R/TI	SL0225-R/TI	upper part, left medial or right lateral, bent inwards, titanium
2	-	-	SL0223-8L/TI	SL0225-8L/TI	upper part, left lateral or right medial, bent outwards, titanium
2	-	-	SL0223-8R/TI	SL0225-8R/TI	upper part, left medial or right lateral, bent outwards, titanium
3	GS1609-*	GS1910-*	GS2311-*	GS2611-*	sliding washer*
4	VE3771-010/20	VE3771-010/20	VE3771-012/26	VE3771-012/26	O-ring damper
5	SL0211-L/TI	SL0212-L/TI	SL0213-L/TI	SL0215-L/TI	lower part with sliding bushing, left lateral or right medial, straight, titanium
5	SL0211-R/TI	SL0212-R/TI	SL0213-R/TI	SL0215-R/TI	lower part with sliding bushing, left medial or right lateral, straight, titanium
5	-	-	SL0233-L/TI	SL0235-L/TI	lower part with sliding bushing, left lateral or right medial, bent inwards, titanium
5	-	-	SL0233-R/TI	SL0235-R/TI	lower part with sliding bushing, left medial or right lateral, bent inwards, titanium
5	-	-	SL0233-8L/TI	SL0235-8L/TI	lower part with sliding bushing, left lateral or right medial, bent outwards, titanium
5	-	-	SL0233-8R/TI	SL0235-8R/TI	lower part with sliding bushing, left medial or right lateral, bent outwards, titanium
5a	BP1009-L050	BP1110-L050	BP1211-L055	BP1211-L060	sliding bushing
6	SL0261-L/AL	SL0262-L/AL	SL0263-L/AL	SL0265-L/AL	cover plate, left lateral or right medial, aluminium
6	SL0261-R/AL	SL0262-R/AL	SL0263-R/AL	SL0265-R/AL	cover plate, left medial or right lateral, aluminium
7	VE3771-040/10	VE3771-050/10	VE3771-08/15	VE3771-09/15	O-ring for securing the alignment screw
8	SC9607-L04/S	SC9608-L06/S	SC9611-L08/S	SC9612-L08/S	alignment screw
9	PN0003-L02	PN0004-L02	PN0005-L02	PN0006-L02	stop damper
10	SL0281-06	SL0282-07	SL0283-10	SL0285-11	guide ring
11	SL0281-04	SL0282-04	SL0283-05	SL0285-06	extension stop
12	SC1404-L12	SC1405-L12	SC1405-L14	SC1405-L14	countersunk flat head screw with hexalobular socket
13	SC1405-L12	SC1405-L12	SC1406-L14	SC1406-L14	countersunk flat head screw with hexalobular socket (axle screw)
6-13	SL2931-L	SL2932-L	SL2933-L	SL2935-L	functional unit plug + go modularity, left lateral or right medial
6-13	SL2931-R	SL2932-R	SL2933-R	SL2935-R	functional unit plug + go modularity, left medial or right lateral

* Sliding Washers				
	Article Number for System Width			
	12 mm	14 mm	16 mm	20 mm
Ø = 16 mm	Ø = 19 mm	Ø = 23 mm	Ø = 26 mm	
GS1609-040	GS1910-040	GS2311-040	GS2611-040	
GS1609-045	GS1910-045	GS2311-045	GS2611-045	
GS1609-050	GS1910-050	GS2311-050	GS2611-050	
GS1609-055	GS1910-055	GS2311-055	GS2611-055	
GS1609-060	GS1910-060	GS2311-060	GS2611-060	

The last three digits of the article number stand for the thickness of the sliding washer, e.g. GS1609-040. The thickness of this sliding washer is 0.40mm. In total, the sliding washers are available in five different thicknesses. The thickness of a sliding washer is indicated by the markings. For example, a sliding washer with two grooves is 0.40mm thick, whereas a sliding washer with one notch is 0.55mm thick.



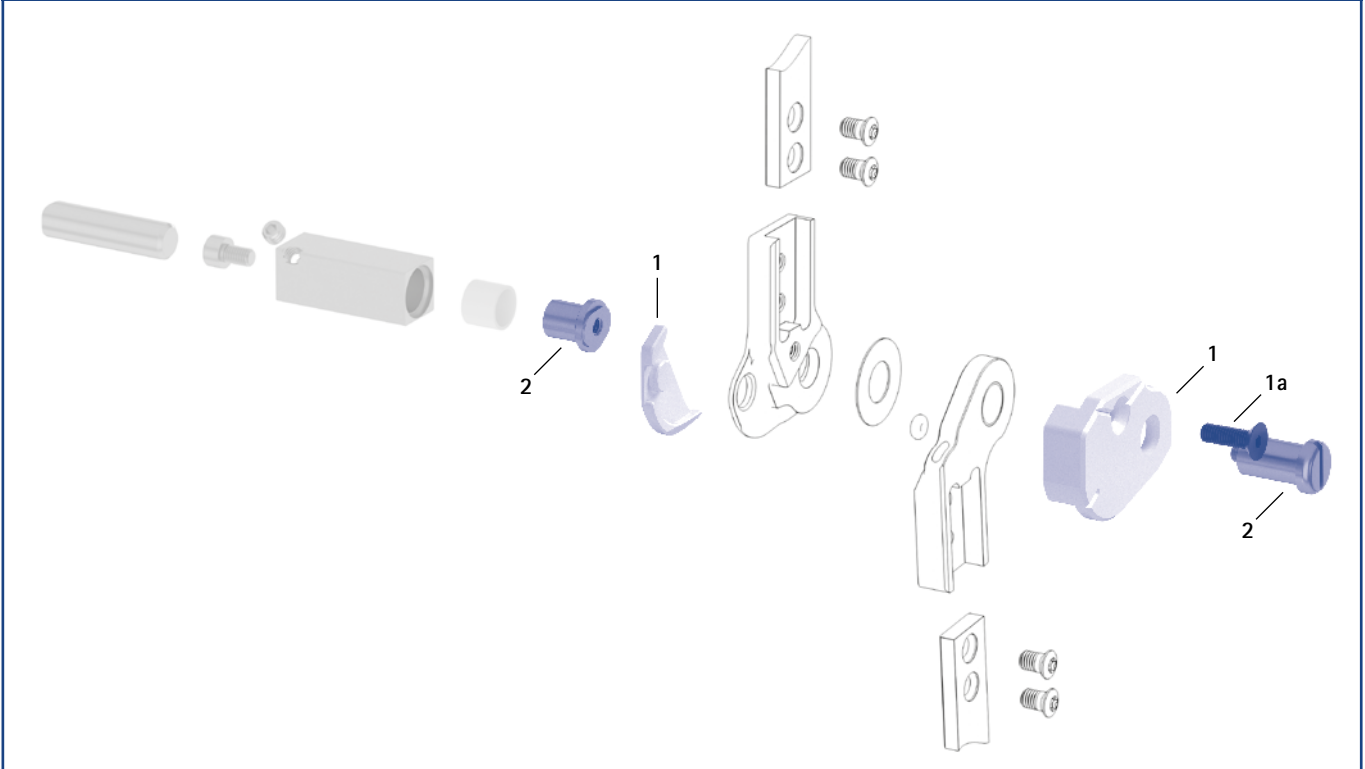
➔ You will find system side bars and system anchors on catalogue page I1ff.

NEURO CLASSIC

NEURO VARIO

NEURO VARIO 2

Assembly/Lamination Dummies and Joint Retainers



NEURO VARIO-SWING

Assembly/Lamination Dummies and Joint Retainers

Item	Article Number for System Width				Description	Unit
	12mm	14mm	16mm	20mm		
1	SL0921-L	SL0922-L	SL0923-L	SL0925-L	assembly/lamination dummy, left lateral or right medial, two parts (2 dummies with screw)	set
1	SL0921-R	SL0922-R	SL0923-R	SL0925-R	assembly/lamination dummy, left medial or right lateral, two parts (2 dummies with screw)	set
1a	SC1054-L12	SC1055-L12	SC1055-L12	SC1055-L16	countersunk flat head screw with hexagon socket	piece
2	PE1012-LR	PE1013-LR	PE1025-LR	PE1025-LR	joint retainer	piece
	4/B	5/C	7/C	7/C	laser marking	-

➔ Assembly/lamination dummies are included in the scope of delivery of the system joints.

➔ You will find an overview of our tools on catalogue page J1ff.

➔ You will also find the joint retainers and the corresponding laser markings in the tool case on the catalogue pages J13 and J14.

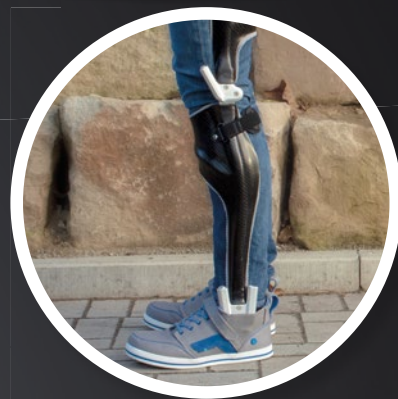
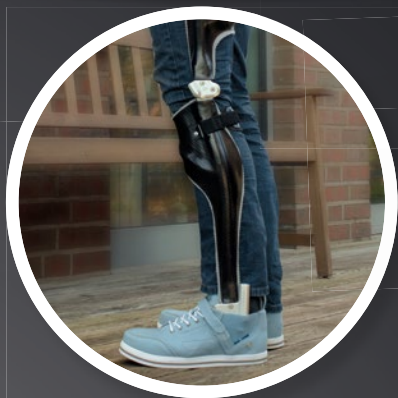
NEURO ACTIVE  
System Knee Joint

NEURO ACTIVE  
Articulated System Side Bar

NEURO CLASSIC Carbon

# NEURO VARIO 2 NEURO VARIO-SWING

– Infinite Adjustability and Dynamic Features



The NEURO VARIO 2 system knee joint can be found from catalogue page E30.1.  
The NEURO VARIO-SWING system knee joint can be found from catalogue page E40.1.