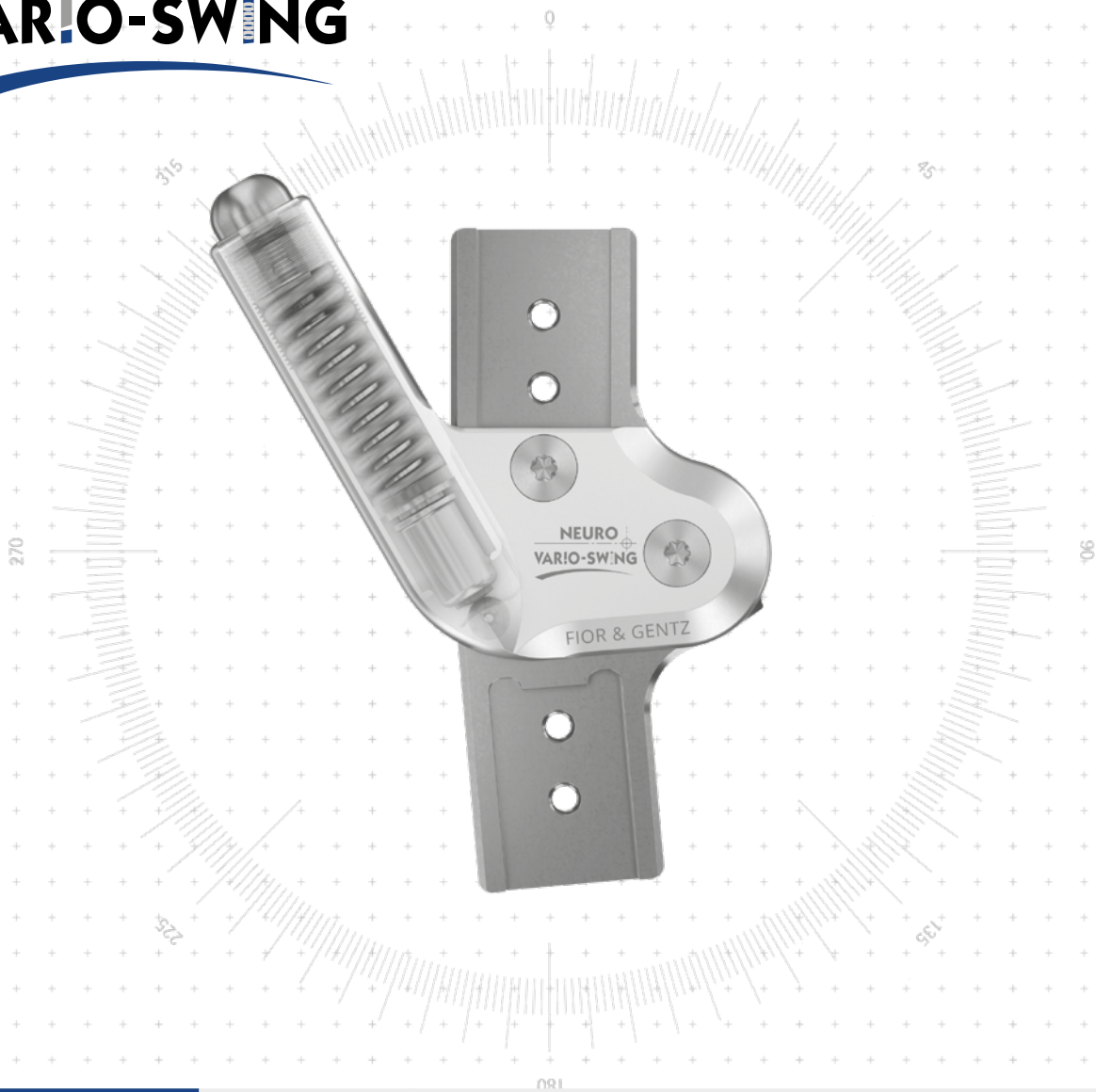


NEURO VARIO-SWING



Main Function



monocentric, free moving with posterior offset

Type of Extension Stop



dynamic extension stop, adjustable

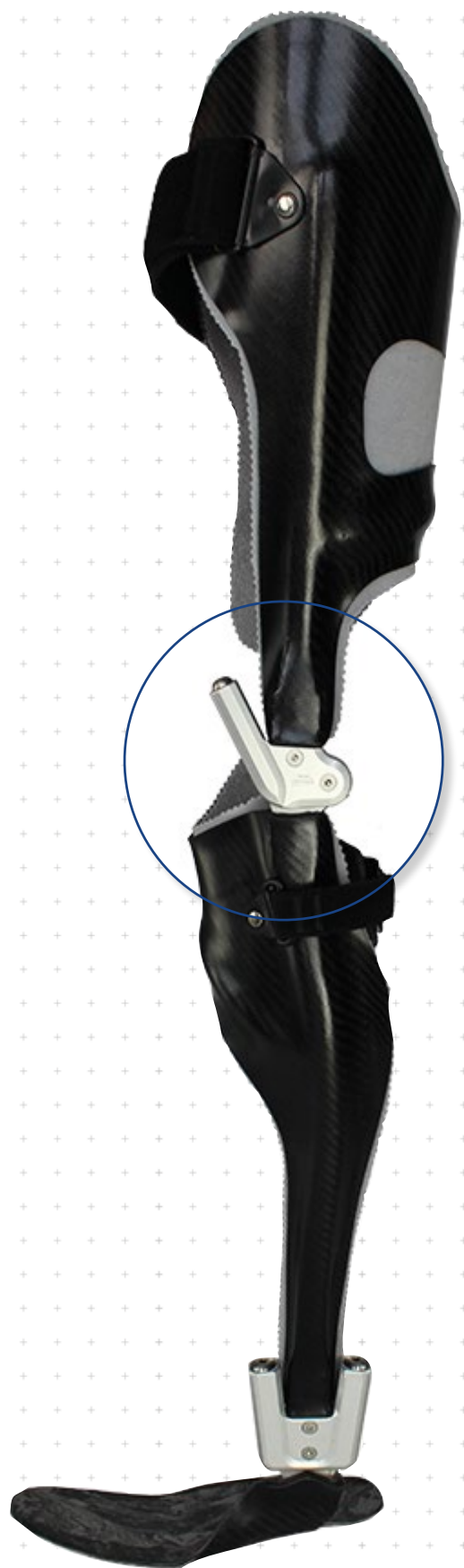
Adjustment Options

- extension stop can be infinitely adjusted (0°–20°) by using the alignment screw
- variable resistance of the dynamic extension stop by exchanging the premounted green spring unit
- range of motion of the spring's range can be infinitely limited as required by adjusting the motion limiting screw

The NEURO VARIO 2 system knee joint can be used as a supporting joint for the NEURO VARIO-SWING system knee joint.



The NEURO VARIO-SWING system knee joint can be converted into the NEURO VARIO 2 system knee joint by exchanging the functional unit.



NEURO CLASSIC

NEURO VARIO

NEURO VARIO 2

NEURO VARIO-SWING

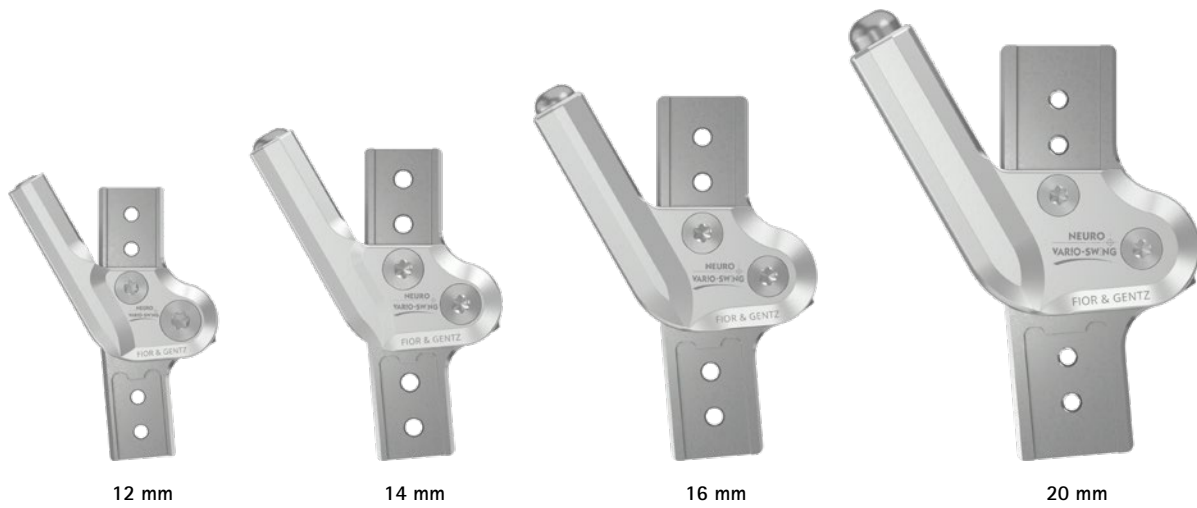
NEURO ACTIVE
System Knee Joint

NEURO ACTIVE
Articulated System Side Bar

NEURO CLASSIC Carbon

NEURO CLASSIC

NEURO VARIO



12 mm

14 mm

16 mm

20 mm

NEURO VARIO 2

Joint Dimensions [mm]

Dimension	Description	System Width a			
		12 mm	14 mm	16 mm	20 mm
b	joint head width	51	62	69	83
c	joint height	70,5	81,5	92	110
d	posterior offset	12	14	16	20
e	distance pivot point - lower system case	13	13	16	18
f	distance pivot point - upper system case	13	14,5	17	19
	joint thickness	14	14	16	19

NEURO VARIO-SWING

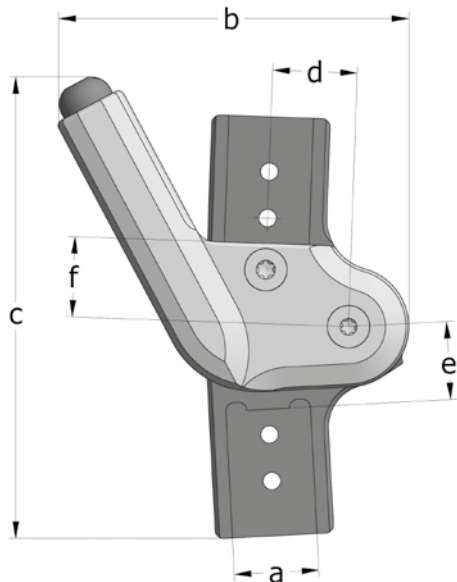
Joint Weights* [g]

Material	Unit	System Width			
		12 mm	14 mm	16 mm	20 mm
titanium	piece	59	81	132	197

* with premounted spring unit

NEURO ACTIVE
System Knee Joint

NEURO ACTIVE
Articulated System Side Bar



The NEURO VARIO-SWING system knee joint is delivered with the following articles:

orthosis joint grease, 3g

assembly/lamination dummy

spring unit, green, premounted

NEURO CLASSIC Carbon

➔ Please order system side bars/anchors separately.

➔ You will find system side bars/anchors on catalogue page I1ff.



straight
fig. 1



bent inwards distally
fig. 2



bent outwards distally
fig. 3



bent inwards
proximally and distally
fig. 4



bent outwards
proximally and distally
fig. 5

Straight (Fig. 1)

Material	Leg Side	Unit	Article Number for System Width			
			12 mm	14 mm	16 mm	20 mm
titanium	left lateral or right medial	piece	SL2501-L/TI	SL2502-L/TI	SL2503-L/TI	SL2505-L/TI
	left medial or right lateral	piece	SL2501-R/TI	SL2502-R/TI	SL2503-R/TI	SL2505-R/TI

Bent Inwards Distally (Fig. 2)

Material	Leg Side	Unit	Article Number for System Width	
			16 mm	20 mm
titanium	left lateral or right medial	piece	SL2573-L/TI	SL2575-L/TI
	left medial or right lateral	piece	SL2573-R/TI	SL2575-R/TI

Bent Outwards Distally (Fig. 3)

Material	Leg Side	Unit	Article Number for System Width	
			16 mm	20 mm
titanium	left lateral or right medial	piece	SL2593-L/TI	SL2595-L/TI
	left medial or right lateral	piece	SL2593-R/TI	SL2595-R/TI

Bent Inwards Proximally and Distally (Fig. 4)

Material	Leg Side	Unit	Article Number for System Width	
			16 mm	20 mm
titanium	left lateral or right medial	piece	SL2523-L/TI	SL2525-L/TI
	left medial or right lateral	piece	SL2523-R/TI	SL2525-R/TI

Bent Outwards Proximally and Distally (Fig. 5)

Material	Leg Side	Unit	Article Number for System Width	
			16 mm	20 mm
titanium	left lateral or right medial	piece	SL2583-L/TI	SL2585-L/TI
	left medial or right lateral	piece	SL2583-R/TI	SL2585-R/TI

NEURO CLASSIC

NEURO VARIO

NEURO VARIO 2

NEURO VARIO-SWING

NEURO ACTIVE
System Knee Joint

NEURO ACTIVE
Articulated System Side Bar

NEURO CLASSIC Carbon

NEURO CLASSIC

NEURO VARIO

NEURO VARIO 2

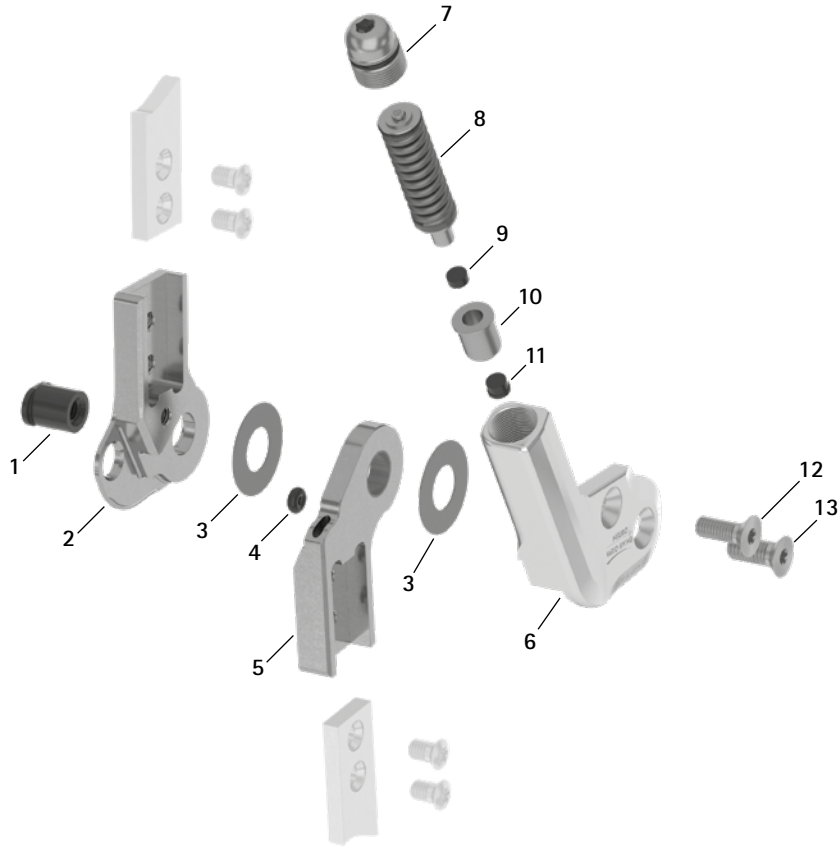
NEURO VARIO-SWING

NEURO ACTIVE
System Knee Joint

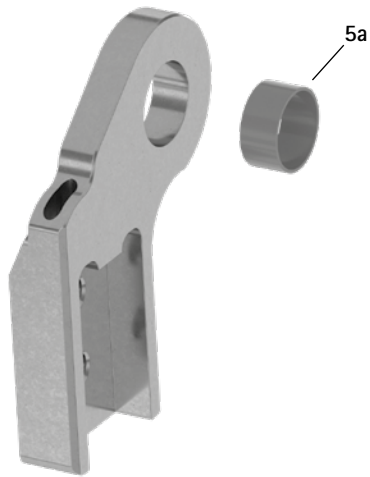
NEURO ACTIVE
Articulated System Side Bar

NEURO CLASSIC Carbon

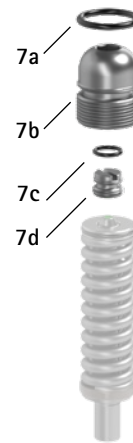
Spare Parts



Lower Part with Sliding Bushing, Preassembled (5)



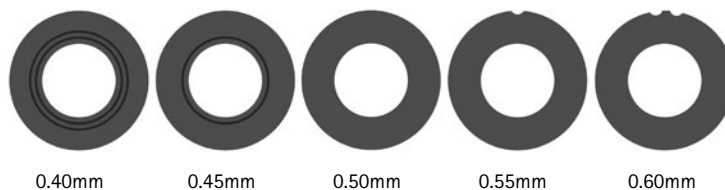
Spare Parts Screw Unit (7)



Spare Parts					
Item	Article Number for System Width				Description
	12 mm	14 mm	16 mm	20 mm	
1	SB8559-L0930	SB9669-L0950	SB1069-L1220	SB1069-L1220	bearing nut
2	SL0201-L/TI	SL0202-L/TI	SL0203-L/TI	SL0205-L/TI	upper part, left lateral or right medial, straight, titanium
2	SL0201-R/TI	SL0202-R/TI	SL0203-R/TI	SL0205-R/TI	upper part, left medial or right lateral, straight, titanium
2	-	-	SL0223-L/TI	SL0225-L/TI	upper part, left lateral or right medial, bent inwards, titanium
2	-	-	SL0223-R/TI	SL0225-R/TI	upper part, left medial or right lateral, bent inwards, titanium
2	-	-	SL0223-8L/TI	SL0225-8L/TI	upper part, left lateral or right medial, bent outwards, titanium
2	-	-	SL0223-8R/TI	SL0225-8R/TI	upper part, left medial or right lateral, bent outwards, titanium
3	GS1609-*	GS1910-*	GS2311-*	GS2611-*	sliding washer*
4	VE3771-010/20	VE3771-010/20	VE3771-012/26	VE3771-012/26	O-ring damper
5	SL0211-L/TI	SL0212-L/TI	SL0213-L/TI	SL0215-L/TI	lower part with sliding bushing, left lateral or right medial, straight, titanium
5	SL0211-R/TI	SL0212-R/TI	SL0213-R/TI	SL0215-R/TI	lower part with sliding bushing, left medial or right lateral, straight, titanium
5	-	-	SL0233-L/TI	SL0235-L/TI	lower part with sliding bushing, left lateral or right medial, bent inwards, titanium
5	-	-	SL0233-R/TI	SL0235-R/TI	lower part with sliding bushing, left medial or right lateral, bent inwards, titanium
5	-	-	SL0233-8L/TI	SL0235-8L/TI	lower part with sliding bushing, left lateral or right medial, bent outwards, titanium
5	-	-	SL0233-8R/TI	SL0235-8R/TI	lower part with sliding bushing, left medial or right lateral, bent outwards, titanium
5a	BP1009-L050	BP1110-L050	BP1211-L055	BP1211-L060	sliding bushing
6	SL0251-L/AL	SL0252-L/AL	SL0253-L/AL	SL0255-L/AL	cover plate, left lateral or right medial, aluminium
6	SL0251-R/AL	SL0252-R/AL	SL0253-R/AL	SL0255-R/AL	cover plate, left medial or right lateral, aluminium
7	SC9609-L13	SC9611-L14	SC9612-L15	SC9614-L17	screw unit
7a	VE3771-06/11	VE3771-08/15	VE3771-09/15	VE3771-11/15	O-ring for securing the alignment screw
7b	SC9609-L13/S	SC9611-L14/T	SC9612-L15/T	SC9614-L17/T	alignment screw, titanium
7c	VE3771-03/10	VE3771-04/10	VE3771-04/10	VE3771-04/10	O-ring for securing motion limiting screw
7d	SC9606-L05	SC9607-L06	SC9607-L06	SC9607-L06	motion limiting screw
8	SH5800-15/04	SH5801-15/06	SH5802-15/11	SH5803-15/15	spring unit, green, medium, max. 9° range of motion
9	PN0003-L02	PN0004-L02	PN0005-L02	PN0006-L02	stop damper
10	SL0281-06	SL0282-07	SL0283-10	SL0285-11	guide ring
11	SL0281-04	SL0282-04	SL0283-05	SL0285-06	extension stop
12	SC1404-L12	SC1405-L12	SC1405-L14	SC1405-L14	countersunk flat head screw with hexalobular socket
13	SC1405-L12	SC1405-L12	SC1406-L14	SC1406-L14	countersunk flat head screw with hexalobular socket (axle screw)
6-13	SL2951-L	SL2952-L	SL2953-L	SL2955-L	functional unit plug + go modularity, left lateral or right medial
6-13	SL2951-R	SL2952-R	SL2953-R	SL2955-R	functional unit plug + go modularity, left medial or right lateral

* Sliding Washers				
12 mm	Article Number for System Width			20 mm
	14 mm	16 mm	16 mm	
Ø = 16 mm	Ø = 19 mm	Ø = 23 mm	Ø = 26 mm	
GS1609-040	GS1910-040	GS2311-040	GS2611-040	
GS1609-045	GS1910-045	GS2311-045	GS2611-045	
GS1609-050	GS1910-050	GS2311-050	GS2611-050	
GS1609-055	GS1910-055	GS2311-055	GS2611-055	
GS1609-060	GS1910-060	GS2311-060	GS2611-060	

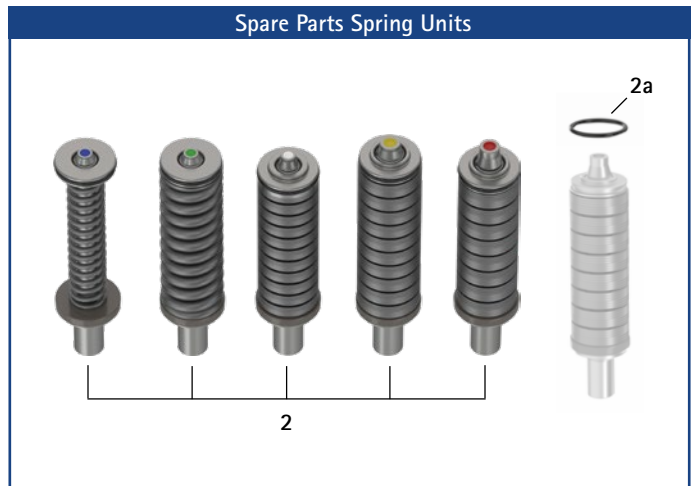
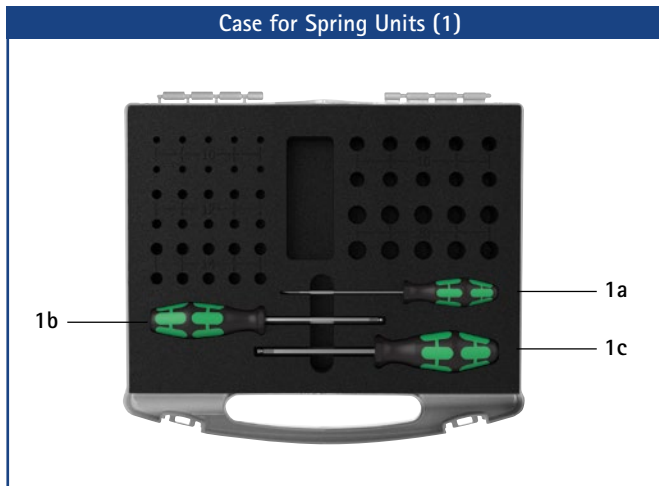
The last three digits of the article number stand for the thickness of the sliding washer, e.g. GS1609-040. The thickness of this sliding washer is 0.40mm. In total, the sliding washers are available in five different thicknesses. The thickness of a sliding washer is indicated by the markings. For example, a sliding washer with two grooves is 0.40mm thick, whereas a sliding washer with one notch is 0.55mm thick.



➔ You will find system side bars and system anchors on catalogue page I1ff.

NEURO CLASSIC

NEURO VARIO



NEURO VARIO 2

Case for Spring Units

Item	Article Number	Description
1	SH5800-0	1 x spring unit case for filling by yourself, with tools (without spring units)*
1a	WZ5703-3513	1 x slotted screwdriver 0.6 x 3.5 x 100mm
1b	WZ5112-4010	1 x hexagonal screwdriver with spherical head, 4 x 100mm
1c	WZ5112-5010	1 x hexagonal screwdriver with spherical head, 5 x 100mm

* The case can be used to store the spring units which are not required.

NEURO VARIO-SWING

Spare Parts Spring Units (You Need One of the Following Spring Units for One NEURO VARIO-SWING System Knee Joint):

Item	Article Number for System Width				Description	Unit
	12 mm	14 mm	16 mm	20 mm		
2	SH5800-15/02	SH5801-15/03	SH5802-15/05	SH5803-15/07	spring unit, blue, normal, max. 9° range of motion	piece
2	SH5800-15/04	SH5801-15/06	SH5802-15/11	SH5803-15/15	spring unit, green, medium, max. 9° range of motion, premounted	piece
2	SH5800-10/06	SH5801-10/12	SH5802-09/16	SH5803-10/21	spring unit, white, strong, max. 6° range of motion	piece
2	SH5800-10/09	SH5801-10/19	SH5802-10/29	SH5803-10/31	spring unit, yellow, very strong, max. 6° range of motion	piece
2	SH5800-05/17	SH5801-05/33	SH5802-05/53	SH5803-05/63	spring unit, red, extra strong, max. 3° range of motion	piece
2a	VE3771-045/10	VE3771-06/10	VE3771-07/10	VE3771-08/10	O-ring for securing the spring unit	piece

NEURO ACTIVE
System Knee Joint

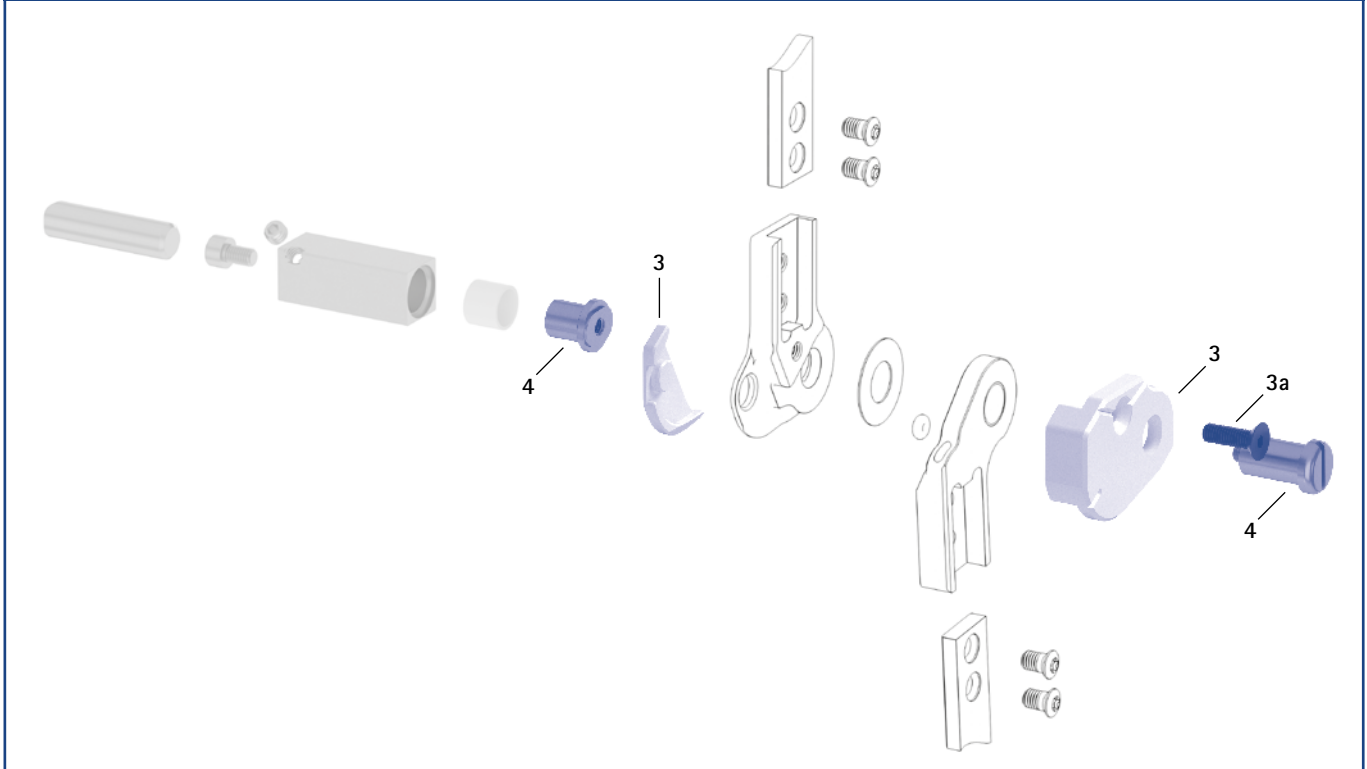
Spring Unit Weights [g]

Spring Unit	Article Number	System Width			
		12 mm	14 mm	16 mm	20 mm
spring unit, blue, normal, max. 9° range of motion	see table spring units	3	7	8	13
spring unit, green, medium, max. 9° range of motion	see table spring units	4	9	16	24
spring unit, white, strong, max. 6° range of motion	see table spring units	4	10	19	29
spring unit, yellow, very strong, max. 6° range of motion	see table spring units	4	10	19	32
spring unit, red, extra strong, max. 3° range of motion	see table spring units	5	11	20	32

NEURO ACTIVE
Articulated System Side Bar

NEURO CLASSIC Carbon

Assembly/Lamination Dummies and Joint Retainers



Assembly/Lamination Dummies and Joint Retainers

Item	Article Number for System Width				Description	Unit
	12mm	14mm	16mm	20mm		
3	SL0921-L	SL0922-L	SL0923-L	SL0925-L	assembly/lamination dummy, left lateral or right medial, two parts (2 dummies with screw)	set
3	SL0921-R	SL0922-R	SL0923-R	SL0925-R	assembly/lamination dummy, left medial or right lateral, two parts (2 dummies with screw)	set
3a	SC1054-L12	SC1055-L12	SC1055-L12	SC1055-L16	countersunk flat head screw with hexagon socket	piece
4	PE1012-LR	PE1013-LR	PE1025-LR	PE1025-LR	joint retainer	piece
	4/B	5/C	7/C	7/C	laser marking	-

- ➔ Assembly/lamination dummies are included in the scope of delivery of the system joints.
- ➔ You will find an overview of our tools on catalogue page J1ff.
- ➔ You will also find the joint retainers and the corresponding laser markings in the tool case on the catalogue pages J13 and J14.

NEURO CLASSIC

NEURO VARIO

NEURO VARIO 2

NEURO VARIO-SWING

NEURO ACTIVE
System Knee Joint

NEURO ACTIVE
Articulated System Side Bar

NEURO CLASSIC Carbon