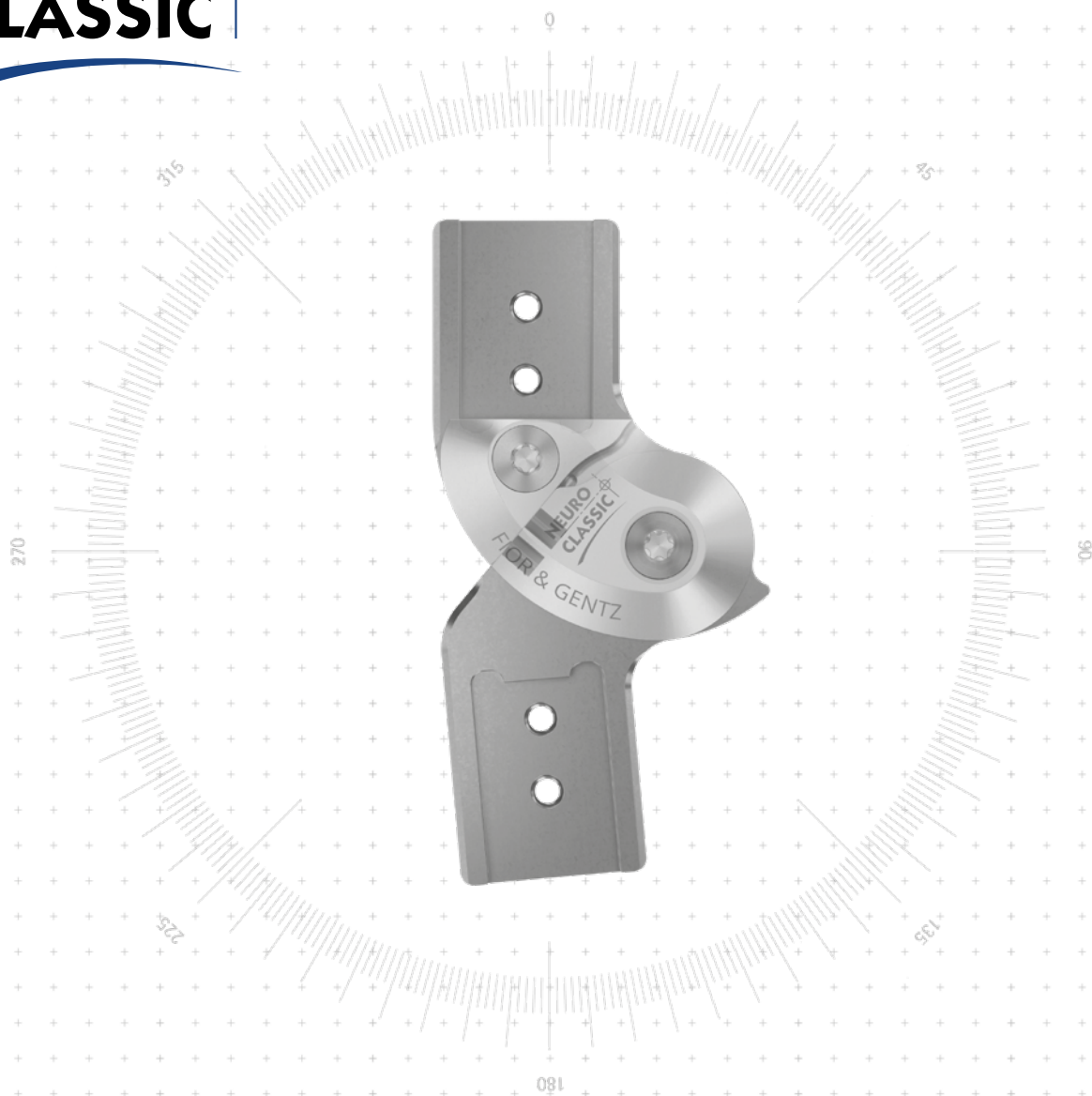


NEURO CLASSIC



Main Function



monocentric, free moving with posterior offset
- preassembled in 5° flexion

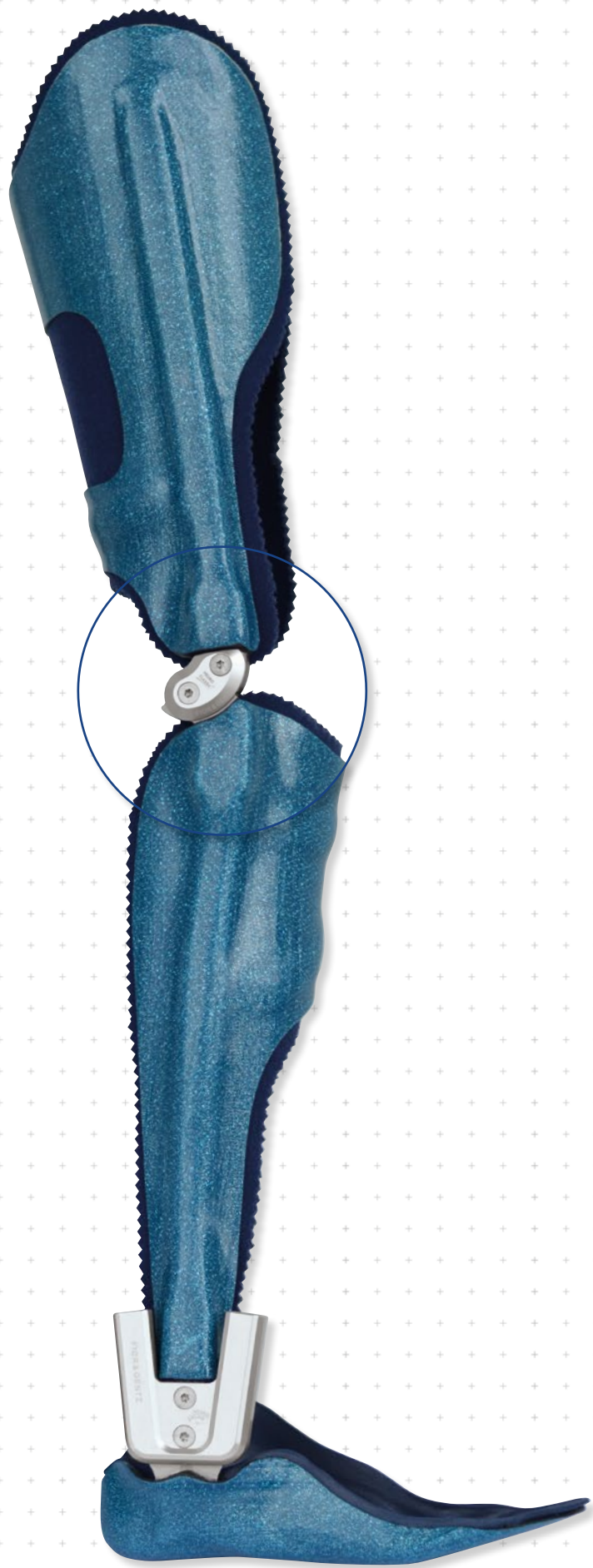
Type of Extension Stop



static extension stop

Adjustment Options

range of motion in extension can be limited as required by exchanging the joint's upper part



NEURO CLASSIC

NEURO VARIO

NEURO VARIO 2

NEURO VARIO-SWING

NEURO ACTIVE
System Knee Joint

NEURO ACTIVE
Articulated System Side Bar

NEURO CLASSIC Carbon

System Knee Joints NEURO CLASSIC

NEURO CLASSIC

NEURO VARIO



12mm



14mm



16mm



20mm

NEURO VARIO 2

Joint Dimensions [mm]

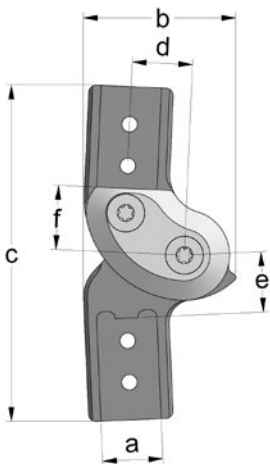
Dimension	Description	System Width a			
		12mm	14mm	16mm	20mm
b	joint head width	29.5	34	40	50
c	joint height	67	76	89	100
d	posterior offset	12	14	16	20
e	distance pivot point – lower system case	13	13	16	18.5
f	distance pivot point – upper system case	13	14.5	17	19
	joint thickness	14	14	15	16

NEURO VARIO-SWING

Joint Weights [g]

Material	Unit	System Width			
		12mm	14mm	16mm	20mm
steel	piece	65	90	137	222
titanium	piece	43	58	86	136

NEURO ACTIVE
System Knee Joint



NEURO ACTIVE
Articulated System Side Bar

The NEURO CLASSIC system knee joint is delivered with the following articles:

orthosis joint grease, 3g

assembly/lamination dummy

NEURO CLASSIC Carbon

➔ Please order system side bars/anchors separately.

➔ You will find system side bars/anchors on catalogue page 11ff.

E10.3



straight
fig. 1



bent inwards distally
fig. 2



bent outwards distally
fig. 3



bent inwards
proximally and distally
fig. 4



bent outwards
proximally and distally
fig. 5

Straight (Fig. 1)

Material	Leg Side	Unit	Article Number for System Width			
			12mm	14mm	16mm	20mm
steel	left lateral or right medial	piece	SL1001-L/ST	SL1002-L/ST	SL1003-L/ST	SL1005-L/ST
	left medial or right lateral	piece	SL1001-R/ST	SL1002-R/ST	SL1003-R/ST	SL1005-R/ST
titanium	left lateral or right medial	piece	SL1001-L/TI	SL1002-L/TI	SL1003-L/TI	SL1005-L/TI
	left medial or right lateral	piece	SL1001-R/TI	SL1002-R/TI	SL1003-R/TI	SL1005-R/TI

Bent Inwards Distally (Fig. 2)

Material	Leg Side	Unit	Article Number for System Width			
			12mm	14mm	16mm	20mm
steel	left lateral or right medial	piece	SL1071-L/ST	SL1072-L/ST	SL1073-L/ST	SL1075-L/ST
	left medial or right lateral	piece	SL1071-R/ST	SL1072-R/ST	SL1073-R/ST	SL1075-R/ST
titanium	left lateral or right medial	piece	SL1071-L/TI	SL1072-L/TI	SL1073-L/TI	SL1075-L/TI
	left medial or right lateral	piece	SL1071-R/TI	SL1072-R/TI	SL1073-R/TI	SL1075-R/TI

Bent Outwards Distally (Fig. 3)

Material	Leg Side	Unit	Article Number for System Width			
			12mm	14mm	16mm	20mm
steel	left lateral or right medial	piece	SL1091-L/ST	SL1092-L/ST	SL1093-L/ST	SL1095-L/ST
	left medial or right lateral	piece	SL1091-R/ST	SL1092-R/ST	SL1093-R/ST	SL1095-R/ST
titanium	left lateral or right medial	piece	SL1091-L/TI	SL1092-L/TI	SL1093-L/TI	SL1095-L/TI
	left medial or right lateral	piece	SL1091-R/TI	SL1092-R/TI	SL1093-R/TI	SL1095-R/TI

Bent Inwards Proximally and Distally (Fig. 4)

Material	Leg Side	Unit	Article Number for System Width			
			12mm	14mm	16mm	20mm
steel	left lateral or right medial	piece	SL1021-L/ST	SL1022-L/ST	SL1023-L/ST	SL1025-L/ST
	left medial or right lateral	piece	SL1021-R/ST	SL1022-R/ST	SL1023-R/ST	SL1025-R/ST
titanium	left lateral or right medial	piece	SL1021-L/TI	SL1022-L/TI	SL1023-L/TI	SL1025-L/TI
	left medial or right lateral	piece	SL1021-R/TI	SL1022-R/TI	SL1023-R/TI	SL1025-R/TI

Bent Outwards Proximally and Distally (Fig. 5)

Material	Leg Side	Unit	Article Number for System Width			
			12mm	14mm	16mm	20mm
steel	left lateral or right medial	piece	SL1081-L/ST	SL1082-L/ST	SL1083-L/ST	SL1085-L/ST
	left medial or right lateral	piece	SL1081-R/ST	SL1082-R/ST	SL1083-R/ST	SL1085-R/ST
titanium	left lateral or right medial	piece	SL1081-L/TI	SL1082-L/TI	SL1083-L/TI	SL1085-L/TI
	left medial or right lateral	piece	SL1081-R/TI	SL1082-R/TI	SL1083-R/TI	SL1085-R/TI

NEURO CLASSIC

NEURO VARIO

NEURO VARIO 2

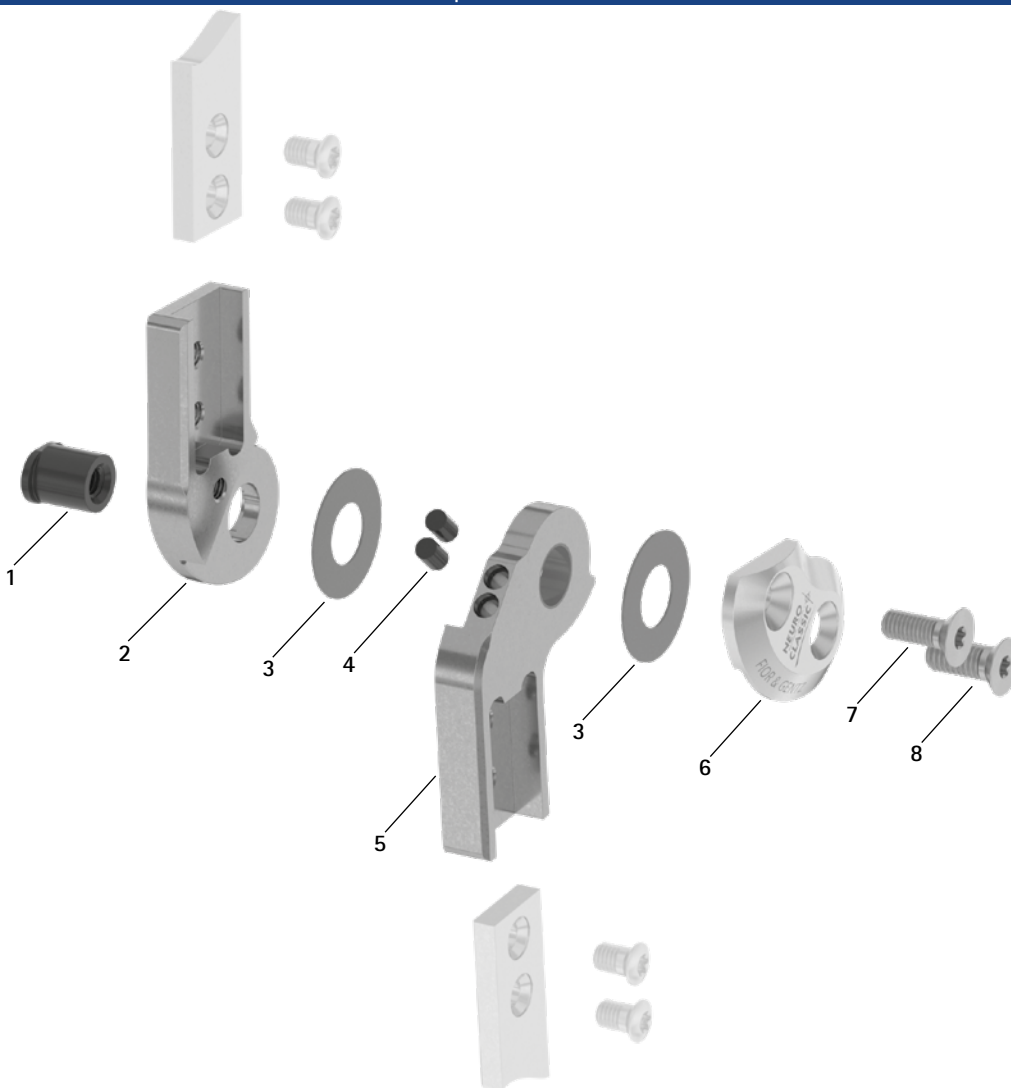
NEURO VARIO-SWING

NEURO ACTIVE
System Knee Joint

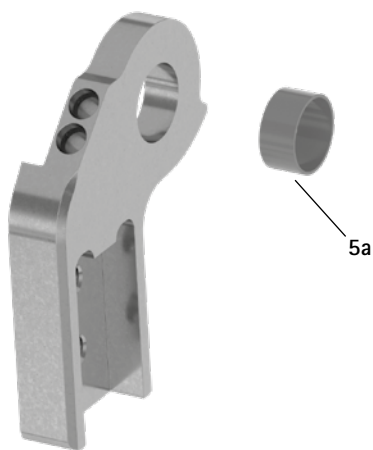
NEURO ACTIVE
Articulated System Side Bar

NEURO CLASSIC Carbon

Spare Parts



Lower Part with Sliding Bushing, Preassembled (5)

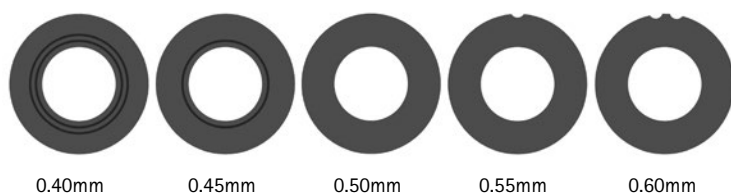


Spare Parts					
Item	Article Number for System Width				Description
	12mm	14mm	16mm	20mm	
1	SB8559-L0930	SB9669-L0950	SB1069-L1060	SB1069-L1220	bearing nut
2	SL0101-2L/ST	SL0102-2L/ST	SL0103-2L/ST	SL0105-2L/ST	5° upper part, left lateral or right medial, straight, steel
2	SL0101-2R/ST	SL0102-2R/ST	SL0103-2R/ST	SL0105-2R/ST	5° upper part, left medial or right lateral, straight, steel
2	SL0101-2L/TI	SL0102-2L/TI	SL0103-2L/TI	SL0105-2L/TI	5° upper part, left lateral or right medial, straight, titanium
2	SL0101-2R/TI	SL0102-2R/TI	SL0103-2R/TI	SL0105-2R/TI	5° upper part, left medial or right lateral, straight, titanium
2	SL0121-2L/ST	SL0122-2L/ST	SL0123-2L/ST	SL0125-2L/ST	5° upper part, left lateral or right medial, bent inwards, steel
2	SL0121-2R/ST	SL0122-2R/ST	SL0123-2R/ST	SL0125-2R/ST	5° upper part, left medial or right lateral, bent inwards, steel
2	SL0121-2L/TI	SL0122-2L/TI	SL0123-2L/TI	SL0125-2L/TI	5° upper part, left lateral or right medial, bent inwards, titanium
2	SL0121-2R/TI	SL0122-2R/TI	SL0123-2R/TI	SL0125-2R/TI	5° upper part, left medial or right lateral, bent inwards, titanium
2	SL0121-9L/ST	SL0122-9L/ST	SL0123-9L/ST	SL0125-9L/ST	5° upper part, left lateral or right medial, bent outwards, steel
2	SL0121-9R/ST	SL0122-9R/ST	SL0123-9R/ST	SL0125-9R/ST	5° upper part, left medial or right lateral, bent outwards, steel
2	SL0121-9L/TI	SL0122-9L/TI	SL0123-9L/TI	SL0125-9L/TI	5° upper part, left lateral or right medial, bent outwards, titanium
2	SL0121-9R/TI	SL0122-9R/TI	SL0123-9R/TI	SL0125-9R/TI	5° upper part, left medial or right lateral, bent outwards, titanium
3	GS1609-*	GS1910-*	GS2311-*	GS2611-*	sliding washer*
4	PN1000-L05/5	PN1000-L05/5	PN1000-L05/5	PN1000-L05/5	extension stop damper
5	SL0111-L/ST	SL0112-L/ST	SL0113-L/ST	SL0115-L/ST	lower part with sliding bushing, left lateral or right medial, straight, steel
5	SL0111-R/ST	SL0112-R/ST	SL0113-R/ST	SL0115-R/ST	lower part with sliding bushing, left medial or right lateral, straight, steel
5	SL0111-L/TI	SL0112-L/TI	SL0113-L/TI	SL0115-L/TI	lower part with sliding bushing, left lateral or right medial, straight, titanium
5	SL0111-R/TI	SL0112-R/TI	SL0113-R/TI	SL0115-R/TI	lower part with sliding bushing, left medial or right lateral, straight, titanium
5	SL0131-L/ST	SL0132-L/ST	SL0133-L/ST	SL0135-L/ST	lower part with sliding bushing, left lateral or right medial, bent inwards, steel
5	SL0131-R/ST	SL0132-R/ST	SL0133-R/ST	SL0135-R/ST	lower part with sliding bushing, left medial or right lateral, bent inwards, steel
5	SL0131-L/TI	SL0132-L/TI	SL0133-L/TI	SL0135-L/TI	lower part with sliding bushing, left lateral or right medial, bent inwards, titanium
5	SL0131-R/TI	SL0132-R/TI	SL0133-R/TI	SL0135-R/TI	lower part with sliding bushing, left medial or right lateral, bent inwards, titanium
5	SL0131-8L/ST	SL0132-8L/ST	SL0133-8L/ST	SL0135-8L/ST	lower part with sliding bushing, left lateral or right medial, bent outwards, steel
5	SL0131-8R/ST	SL0132-8R/ST	SL0133-8R/ST	SL0135-8R/ST	lower part with sliding bushing, left medial or right lateral, bent outwards, steel
5	SL0131-8L/TI	SL0132-8L/TI	SL0133-8L/TI	SL0135-8L/TI	lower part with sliding bushing, left lateral or right medial, bent outwards, titanium
5	SL0131-8R/TI	SL0132-8R/TI	SL0133-8R/TI	SL0135-8R/TI	lower part with sliding bushing, left medial or right lateral, bent outwards, titanium
5a	BP1009-L050	BP1110-L050	BP1211-L055	BP1211-L060	sliding bushing
6	SL0151-L/AL	SL0152-L/AL	SL0153-L/AL	SL0155-L/AL	cover plate, left lateral or right medial, aluminium
6	SL0151-R/AL	SL0152-R/AL	SL0153-R/AL	SL0155-R/AL	cover plate, left medial or right lateral, aluminium
7	SC1404-L12	SC1405-L12	SC1405-L14	SC1405-L14	countersunk flat head screw with hexalobular socket
8	SC1405-L12	SC1405-L12	SC1406-L14	SC1406-L14	countersunk flat head screw with hexalobular socket (axle screw)

* Sliding Washers

Article Number for System Width				
12mm	14mm	16mm	20mm	
$\emptyset = 16\text{mm}$	$\emptyset = 19\text{mm}$	$\emptyset = 23\text{mm}$	$\emptyset = 26\text{mm}$	
GS1609-040	GS1910-040	GS2311-040	GS2611-040	
GS1609-045	GS1910-045	GS2311-045	GS2611-045	
GS1609-050	GS1910-050	GS2311-050	GS2611-050	
GS1609-055	GS1910-055	GS2311-055	GS2611-055	
GS1609-060	GS1910-060	GS2311-060	GS2611-060	

The last three digits of the article number stand for the thickness of the sliding washer, e.g. GS1609-040. The thickness of this sliding washer is 0.40mm. In total, the sliding washers are available in five different thicknesses. The thickness of a sliding washer is indicated by the markings. For example, a sliding washer with two notches is 0.40mm thick, whereas a sliding washer with one notch is 0.55mm thick.



→ You will find system side bars and system anchors on catalogue page I1ff.

NEURO CLASSIC

NEURO VARIO

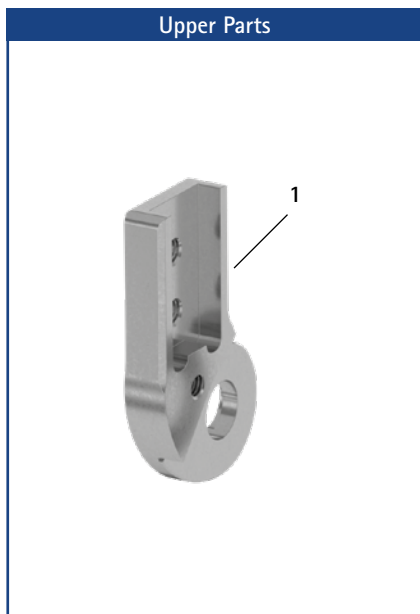
NEURO VARIO 2

NEURO VARIO-SWING

NEURO ACTIVE
System Knee Joint

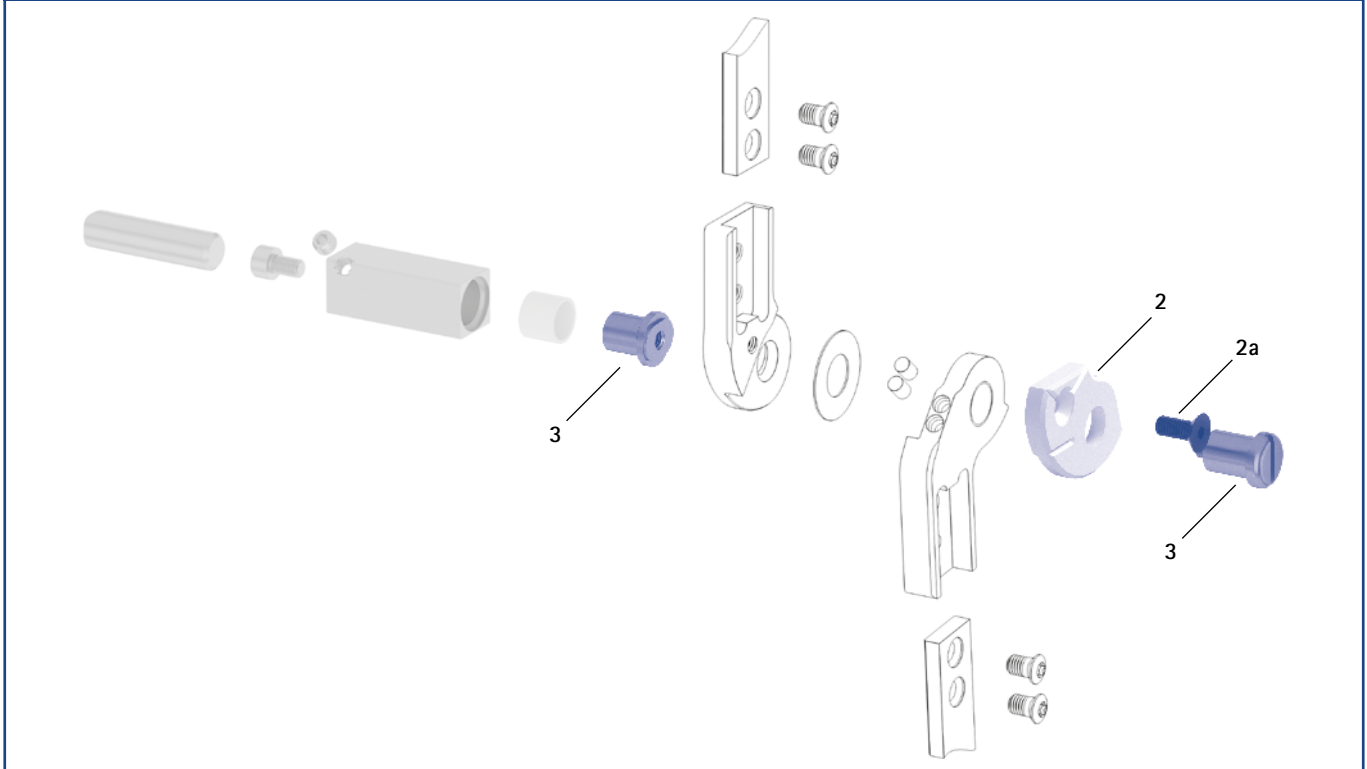
NEURO ACTIVE
Articulated System Side Bar

NEURO CLASSIC Carbon



Upper Parts					
Item	Article Number for System Width				Description
	12mm	14mm	16mm	20mm	
1	SL0101-L/ST	SL0102-L/ST	SL0103-L/ST	SL0105-L/ST	0° upper part, left lateral or right medial, straight, steel
1	SL0101-R/ST	SL0102-R/ST	SL0103-R/ST	SL0105-R/ST	0° upper part, left medial or right lateral, straight, steel
1	SL0101-L/TI	SL0102-L/TI	SL0103-L/TI	SL0105-L/TI	0° upper part, left lateral or right medial, straight, titanium
1	SL0101-R/TI	SL0102-R/TI	SL0103-R/TI	SL0105-R/TI	0° upper part, left medial or right lateral, straight, titanium
1	SL0121-L/ST	SL0122-L/ST	SL0123-L/ST	SL0125-L/ST	0° upper part, left lateral or right medial, bent inwards, steel
1	SL0121-R/ST	SL0122-R/ST	SL0123-R/ST	SL0125-R/ST	0° upper part, left medial or right lateral, bent inwards, steel
1	SL0121-L/TI	SL0122-L/TI	SL0123-L/TI	SL0125-L/TI	0° upper part, left lateral or right medial, bent inwards, titanium
1	SL0121-R/TI	SL0122-R/TI	SL0123-R/TI	SL0125-R/TI	0° upper part, left medial or right lateral, bent inwards, titanium
1	SL0121-8L/ST	SL0122-8L/ST	SL0123-8L/ST	SL0125-8L/ST	0° upper part, left lateral or right medial, bent outwards, steel
1	SL0121-8R/ST	SL0122-8R/ST	SL0123-8R/ST	SL0125-8R/ST	0° upper part, left medial or right lateral, bent outwards, steel
1	SL0121-8L/TI	SL0122-8L/TI	SL0123-8L/TI	SL0125-8L/TI	0° upper part, left lateral or right medial, bent outwards, titanium
1	SL0121-8R/TI	SL0122-8R/TI	SL0123-8R/TI	SL0125-8R/TI	0° upper part, left medial or right lateral, bent outwards, titanium

Assembly/Lamination Dummies and Joint Retainers



Assembly/Lamination Dummies and Joint Retainers						
Item	Article Number for System Width				Description	Unit
	12mm	14mm	16mm	20mm		
2	SL0911-L	SL0912-L	SL0913-L	SL0915-L	assembly/lamination dummy, left lateral or right medial	piece
2	SL0911-R	SL0912-R	SL0913-R	SL0915-R	assembly/lamination dummy, left medial or right lateral	piece
2a	SC1054-L12	SC1055-L12	SC1055-L12	SC1055-L16	countersunk flat head screw with hexagon socket	piece
3	PE1012-LR	PE1013-LR	PE1025-LR	PE1025-LR	joint retainer	piece
	4/B	5/C	7/C	7/C	laser marking	-

- ➔ Assembly/lamination dummies are included in the scope of delivery of the system joints.
- ➔ You will find an overview of our tools on catalogue page J1ff.
- ➔ You will also find the joint retainers and the corresponding laser markings in the tool case on the catalogue pages J13 and J14.